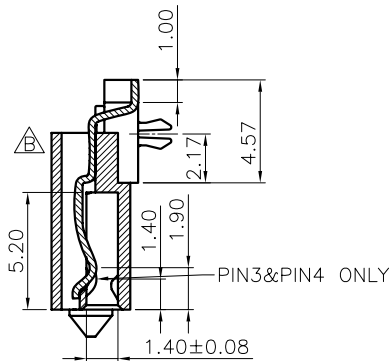
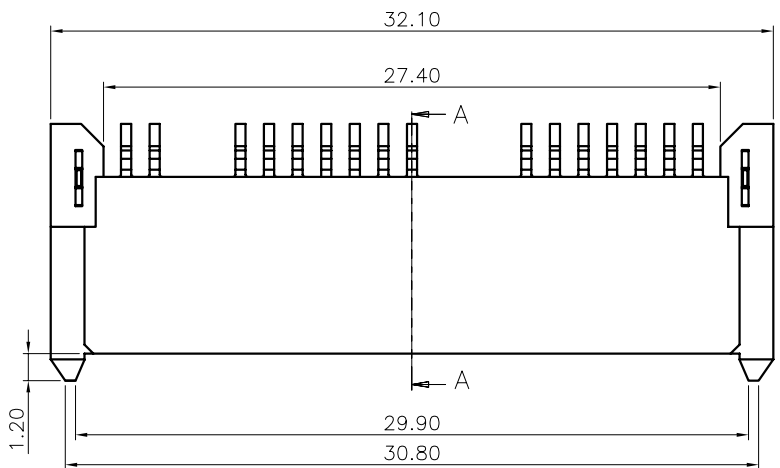


CUSTOMER DRAWING

PART NO. SEE TABLE

REVISIONS			
LTR	DESCRIPTION	Drawing	DATE
A	新產品發行圖面	GARY	04/15/08
B	修改塑膠主體	GARY	05/16/08



SECTION A-A

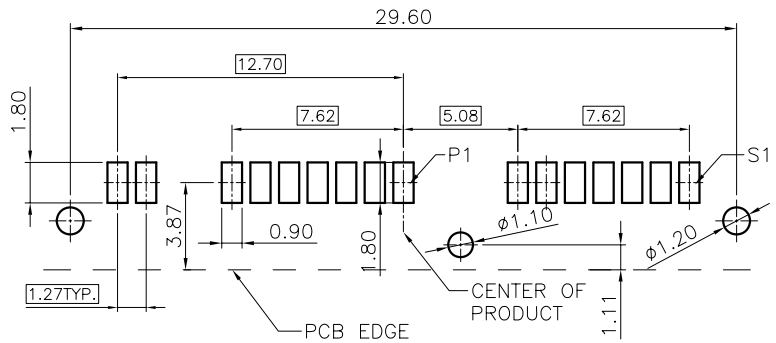
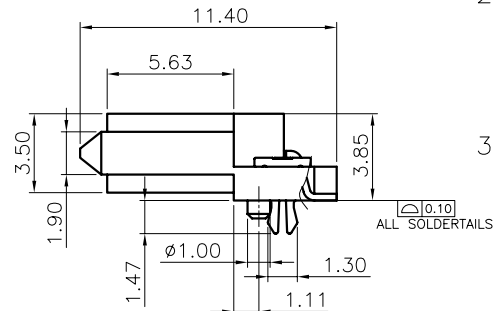
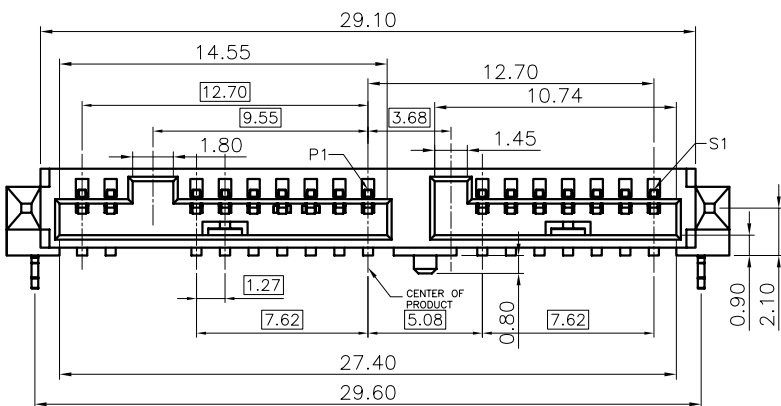


TABLE
RECOMMENDED PCB LAYOUT
PCB THICKNESS=1.00mm

007-01-00631	GOLD FLASH	LCP BLACK	GP
007-01-00632	15 U" GOLD	LCP BLACK	GP
007-01-00633	30 U" GOLD	LCP BLACK	GP
PART NO.	PLATED	PLASTIC&COLOR	NOTE



NOTE:

- MATERIAL :
BASE : HIGH TEMPERATURE THERMOPLASTIC UL94V-0,
TERMINAL:COPPER ALLOY,THICKNESS = 0.30 mm
FORKLOCK:BRASS THICKNESS = 0.30 mm
- PLATING:
CONTACT:GOLD OVER 50u" MIN NICKEL UNDERPLATE
SOLDER TAIL:150u"MIN MISTY TIN 50u" MIN NICKEL UNDERPLATE
GOLD SPECIFICATION:SEE TABLE
- ELECTRONICAL SPECIFICATION:
CURRENT RATING: 1.5 AMPERE PER CONTACT
CONTACT RESISTANCE: 30 MILLIOHMS MAX.
INSULATION RESISTANCE: 1000 MEGOHMS MIN.
DIELECTRIC WITHSTANDING VOLTAGE: 500 VAC.
OPERATING TEMPERATURE: -40°C~+85°C

DIMENSION ARE MILLIMETERS
TOLERANCES ARE :
DECIMALS
.X ± 0.20
.XX ± 0.15
ANGLE:
X ± 3°

APPROVALS		DATE
DRAWN	GARY	05/16/08
CHECKED		
APPROVALS		

TITLE: USATA 16PIN母頭SMT			
SIZE mm	SCALE : 1 : 1	DRAWING NO. 000609	REV. B
ID NO.	XXXXXXXXXX	SHEET 1 OF 1	

NO	DESCRIPTION	QTY	UNIT	DO NOT SCALE DRAWING