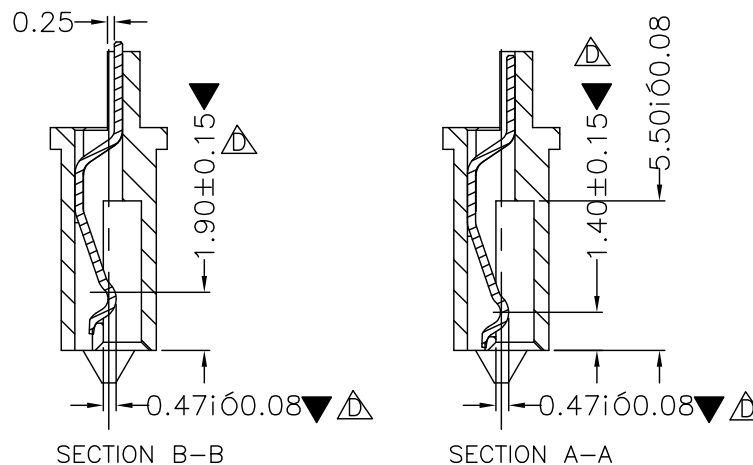
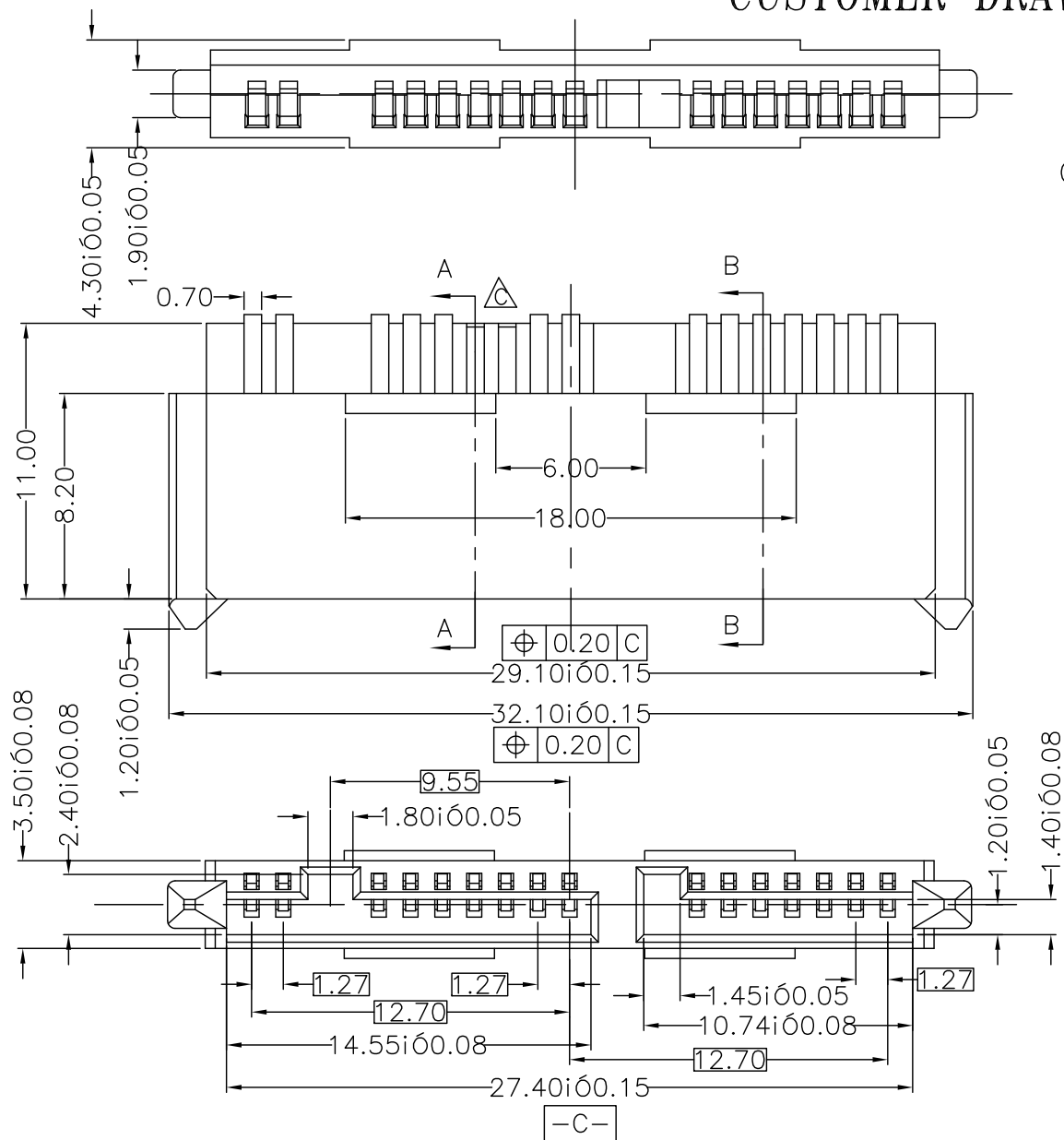


PART NO. 007-01-00438

CUSTOMER DRAWING

REVISIONS			
LTR	DESCRIPTION	Drawing	DATE
A	INITIAL FOR MANUFACTURE REL	BILL	07/09/07'
B	修改圖紙與實物相符	BILL	08/25/07'
C	修改特殊PIN位置	BILL	08/28/08'
D	更改尺寸公差與協會規範相符	BILL	11/07/08'



- NOTE:
- MATERIAL :
 BASE:HIGH THERMOPLASTIC UL94V-0, COLOR : BLACK
 TERMINAL: COPPER ALLOY, T= 0.30 mm
 - PLATING:
 CONTACT:15U" GOLD PLATED ON THE CONTACT.
 TIN PLATED ON THE SOLDER TAIL.
 NICKEL UNDERPLATED OVER ALL.
 - ELECTRONICAL SPECIFICATION:
 CURRENT RATING: 1.5 AMPERE PER CONTACT
 CONTACT RESISTANCE: 30 MILLIOHMS MAX.
 INSULATION RESISTANCE: 1000 MEGOHMS MIN.
 DIELECTRIC WITHSTANDING VOLTAGE: 500 VAC.
 OPERATING TEMPERATURE: -40°C~+85°C

DIMENSION ARE MILLIMETERS TOLERANCES ARE : DECIMALS .X ± 0.20 .XX ± 0.15 ANGLE: X ± 1'	APPROVALS		DATE	TITLE: SATA 16P SOCKET SOLDER TYPE
	DRAWN	BILL	11/07/08'	
	CHECKED			
	APPROVALS			
	SIZE	SCALE :	DRAWING NO.	REV.
	mm	1 : 1	000507	D
	ID NO.	XXXXXXXXXX	SHEET 1 OF 1	

DESCRIPTION

NO

Q'TY UNIT

DO NOT SCALE DRAWING

4

3

2

1