

# CUSTOMER DRAWING

REVISIONS			
LTR	DESCRIPTION	Drawing	DATE
A	新產品發行圖面	GARY	12/29/07
B	增加料號	GARY	04/12/08
C	修改銅腳長度FM 2.00 TO 2.20	GARY	05/08/08
D	增加料號	GARY	03/06/09

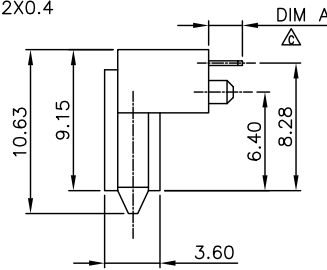
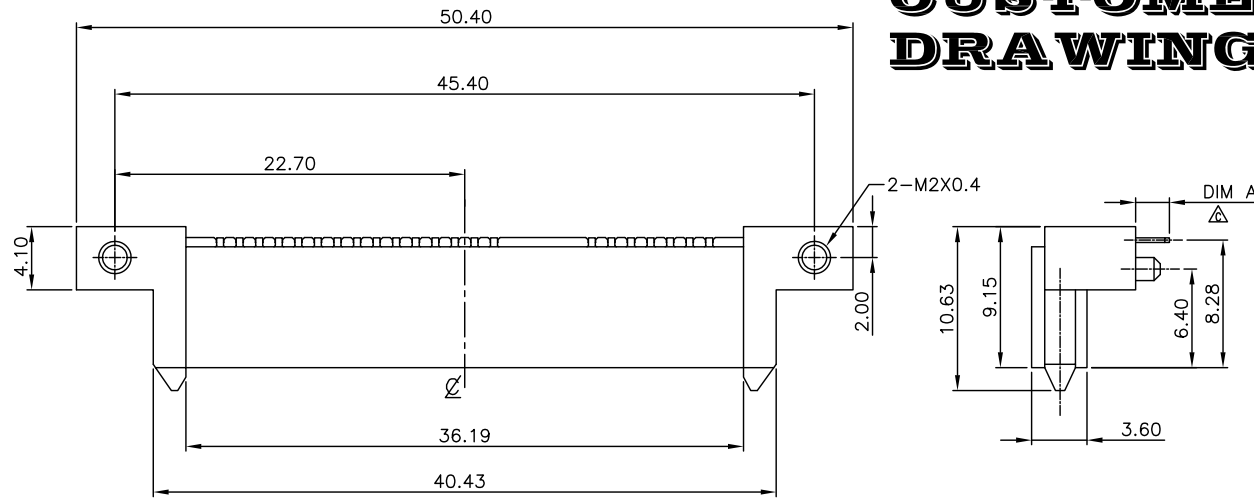
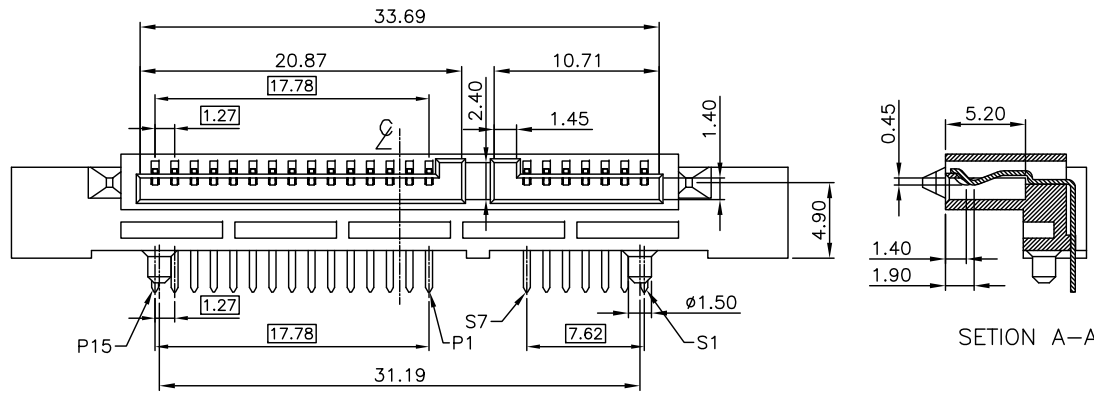


TABLE 1

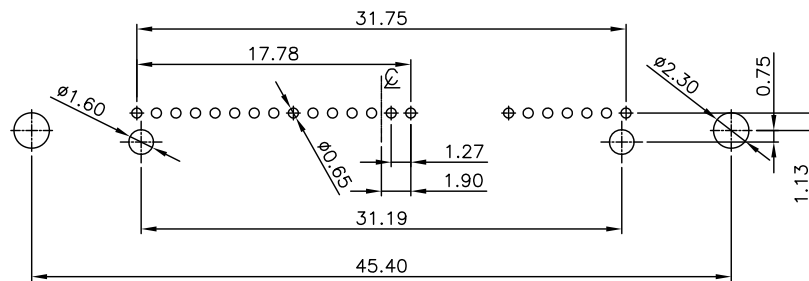
△	007-01-00855	15 U"	LCP BLACK	GP	3.00
△	007-01-00635	30 U"	LCP BLACK	GP	2.20
△	007-01-00634	G/F	LCP BLACK	GP	
△	007-01-00547	15 U"	LCP BLACK	GP	
	PART NO.	CONTACT	MATERIAL & COLOR	NOTE	DIM=A



SECTION A-A

NOTE:

- MATERIAL :  
 BASE : HIGH TEMPERATURE THERMOPLASTIC UL94V-0,  
 TERMINAL: COPPER ALLOY, THICKNESS = 0.30 mm  
 SOLDER: COPPER ALLOY
- PLATING:  
 CONTACT: GOLD OVER 50u" MIN NICKEL UNDERPLATE  
 SOLDER TAIL: 150u" MIN MISTY TIN 50u" MIN NICKEL UNDERPLATE  
 GOLD SPECIFICATION: SEE TABLE  
 SCREW: NICKEL PLATED
- ELECTRONICAL SPECIFICATION:  
 CURRENT RATING: 1.5 AMPERE PER CONTACT  
 CONTACT RESISTANCE: 30 MILLIOHMS MAX.  
 INSULATION RESISTANCE: 1000 MEGOHMS MIN.  
 DIELECTRIC WITHSTANDING VOLTAGE: 500V AC.  
 OPERATING TEMPERATURE: -40°C ~ +85°C



RECOMMEND PCB LAYOUT  
 PCB THICKNESS=1.20mm

DIMENSION ARE MILLIMETERS		APPROVALS		DATE
TOLERANCES ARE :		DRAWN	GARY	03/06/09
DECIMALS		CHECKED		
X ± 0.30		APPROVALS		
.XX ± 0.25				
ANGLE:		TITLE: SATA22PIN 上彈點帶螺絲H=4.9		
X ± 3'		SIZE	SCALE :	DRAWING NO.
		mm	1 : 1	000570
		D NO.	XXXXXXXXXX	REV. D
		SHEET 1 OF 1		

NO	DESCRIPTION	Q'TY	UNIT	DO NOT SCALE DRAWING
4				
3				
2				
1				