

4

3

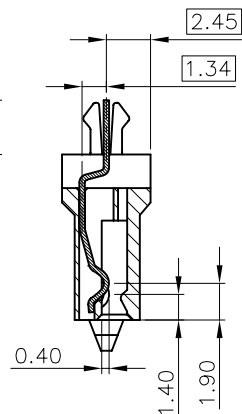
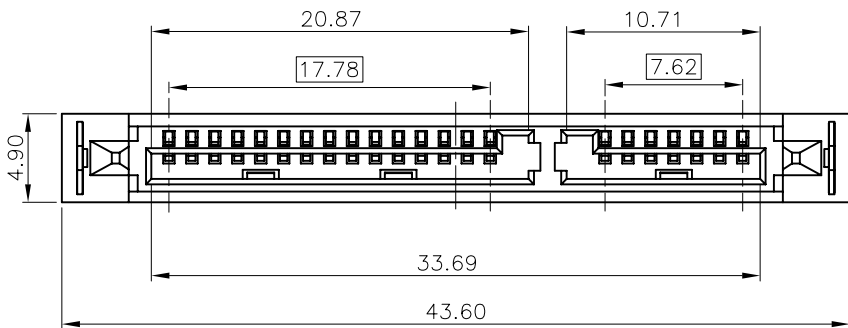
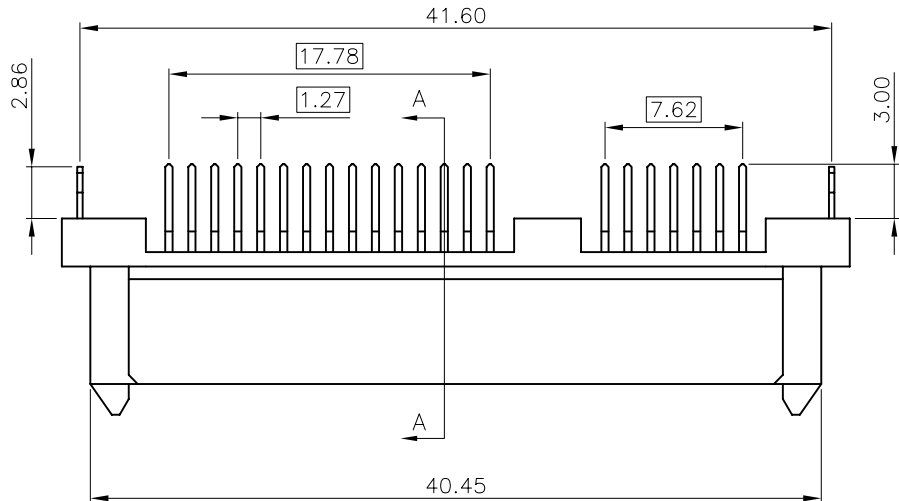
2

1

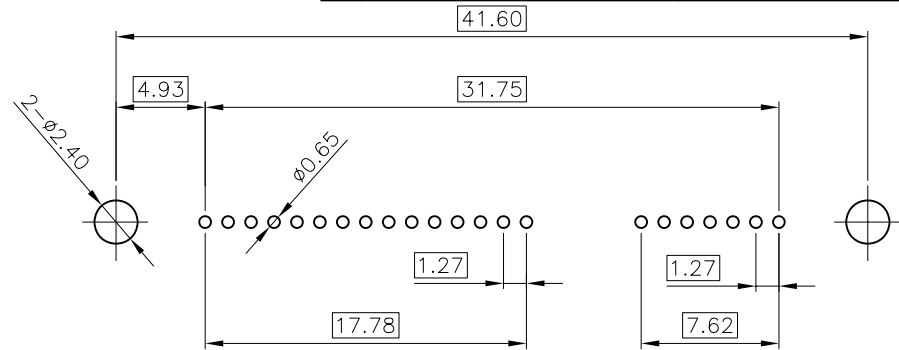
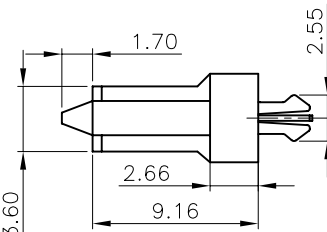
PART NO. SEE TABLE

REVISIONS			
LTR	DESCRIPTION	Drawing	DATE
A	initial Release for Manufacture	BILL	02/28/07
B	Change the Product Form	BILL	04/12/07

CUSTOMER DRAWING



SECTION A-A



RECOMMENDED PCB LAYOUT

- NOTE:
- MATERIAL :
 BASE:LCP+30%G/F, UL94V-0, COLOR : BLACK
 TERMINAL: PHOPHOR BRONZE C5191R-EH,T= 0.30 mm.
 FORKLOCK: BRASS C2680-H,T= 0.30 mm.
 - PLATING:
 CONTACT:GOLD PLATED ON THE CONTACT AREA(SEE TABLE)
 MISTY TIN ON THE SOLDER TAILS.
 NICKEL UNDERPLATE OVER ALL.
 BOARD LOCK:MISTY TIN ON THE SOLDER TAILS
 NICKEL UNDERPLATE OVER ALL.
 - PRODUCT SPECIFICATION REFERENCE TO *****.
 - PACKAGING SPECIFICATION REFERENCE TO *****.

TABLE

007-01-00371	GOLD FLASH	LCP BLACK
007-01-00372	15 U" GOLD	LCP BLACK
PART NO.	PLATED	PLASTIC&COLOR

DIMENSION ARE MILLIMETERS TOLERANCES ARE : DECIMALS .X ± 0.30 .XX ± 0.25 ANGLE: X ± 3°	APPROVALS		DATE	PART NO. 007-01-00371/00372	
	DRAWN	BILL	04/12/07		TITLE: SATA 22P 母頭 DIP型 (無柱子)
	CHECKED				
	APPROVALS			SIZE SCALE : mm 1 : 1	DRAWING NO. 000460
DO NOT SCALE DRAWING	ID NO.	XXXXXXXXXX	SHEET	1 OF 1	

DESCRIPTION

NO

4

3

2

1