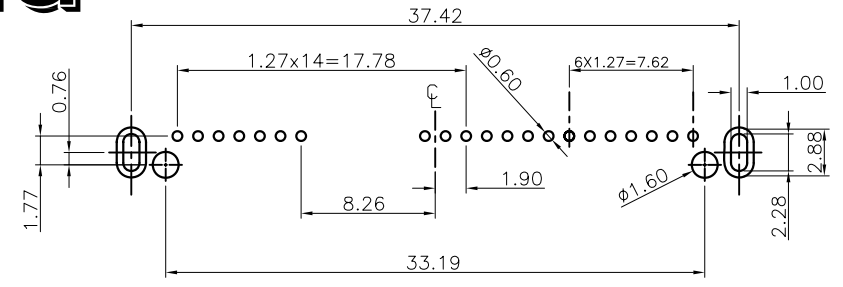
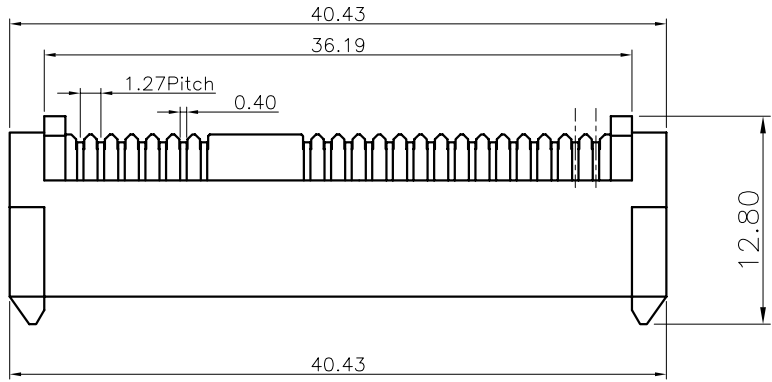


CUSTOMER DRAWING

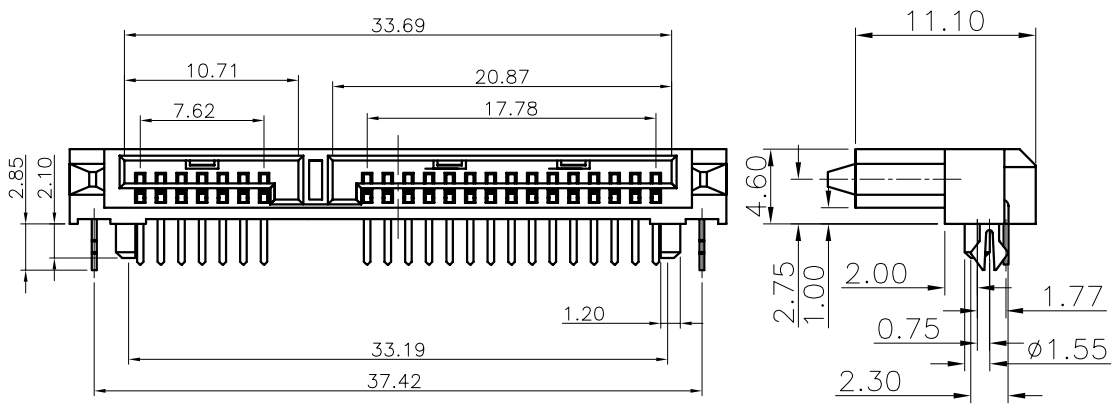
REVISIONS			
LTR	DESCRIPTION	Drawing	DATE
A	RELEASE NEW PRODUCT	GARY	12/14/06
B	修改柱子尺寸Ø1.50為Ø1.55	GARY	06/07/06



RECOMMENDED PCB LAYOUT

NOTE:

- 1.MATERIAL :
 BASE : HIGH TEMPERATURE THERMOPLASTIC
 UL94V-0, COLOR : BLACK
 TERMINAL: COPPER ALLOY,THICKNESS = 0.30 mm
 FORKLOCK: COPPER ALLOY,THICKNESS = 0.30 mm
- 2.PLATING:
 CONTACT:GOLD OVER 50u" MIN NICKEL UNDERPLATE
 SOLDER TAIL:150u"MIN MISTY TIN 50u" MIN NICKEL UNDERPLATE
 GOLD SPECIFICATION:a,Flash; b, 15u"; c,30u";
- 3.ELECTRONICAL SPECIFICATION:
 CURRENT RATING: 1.5 AMPERE PER CONTACT
 CONTACT RESISTANCE: 30 MILLIOHMS MAX.
 INSULATION RESISTANCE: 1000 MEGOHMS MIN.
 DIELECTRIC WITHSTANDING VOLTAGE: 500 VDC.
 OPERATING TEMPERATURE: -40°C~+85°C
- 4.MEETS THE REQUIREMENTS OF DIRECTIVE 2002/95/EC OF THE EUROPEAN PARLIAMENT AND OF THE COUNCIL OF 27 JANUARY 2003 ON THE RESTRICTION OF THE USE OF CERTAIN HAZARDOUS SUBSTANCES IN ELECTRICAL AND ELECTRONIC EQUIPMENT(ROHS)



TABLE

007-01-00313	GOLD FLASH	LCP BLACK
007-01-00314	15 U" GOLD	LCP BLACK
PART NO.	PLATED	PLASTIC&COLOR

DIMENSION ARE MILLIMETERS TOLERANCES ARE : DECIMALS .X ± 0.30 .XX ± 0.25 ANGLE: X ± 3°	APPROVALS		DATE	PART NO.			
	DRAWN	GARY	06/07/06	007-01-00313/00314			
	CHECKED			TITLE: ASSEMBLY OF SATA 22P SOCKET SLIM TYPE R/A DIP BOTTOM			
	APPROVALS			SIZE SCALE : mm 1 : 1 DRAWING NO. 000422 REV. B			
NO	DESCRIPTION	QTY	UNIT	DO NOT SCALE DRAWING	ID NO.	XXXXXXXXXX	SHEET 1 OF 1

DESCRIPTION