

4

3

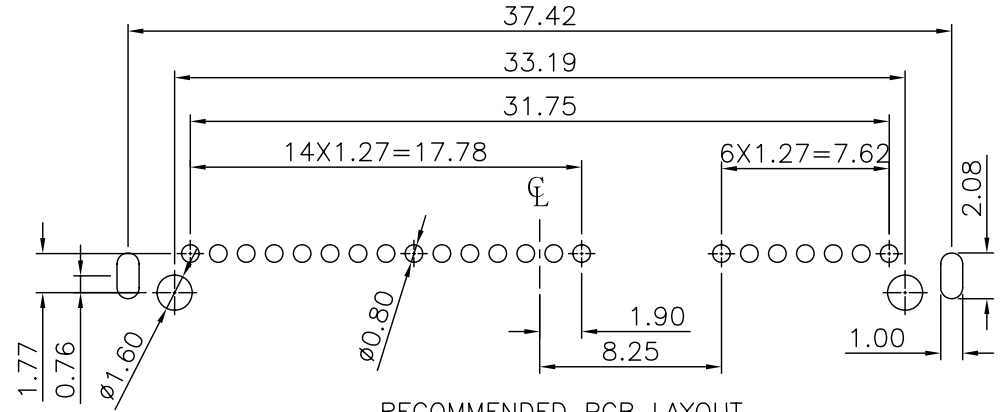
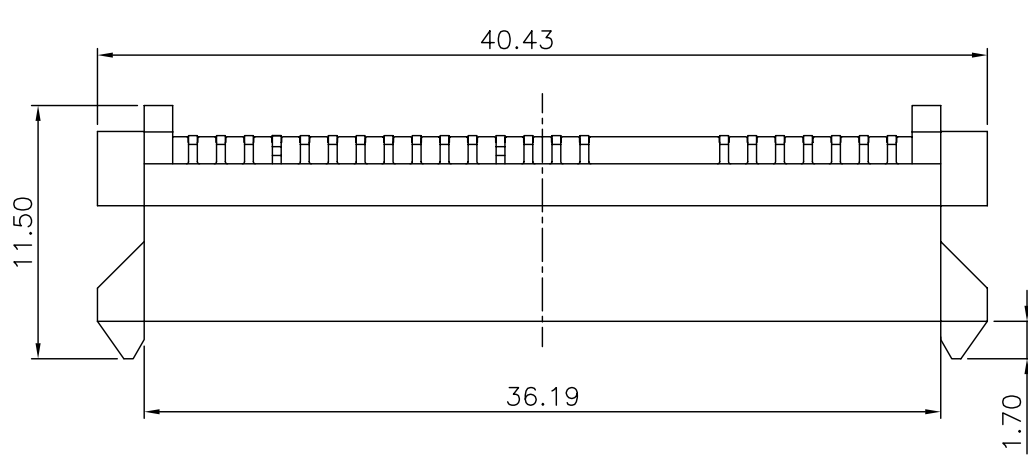
2

1

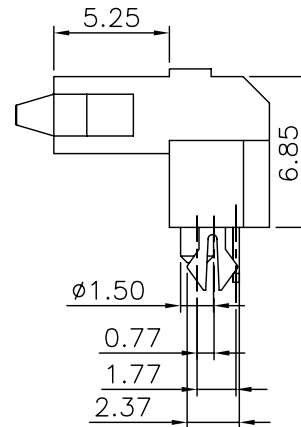
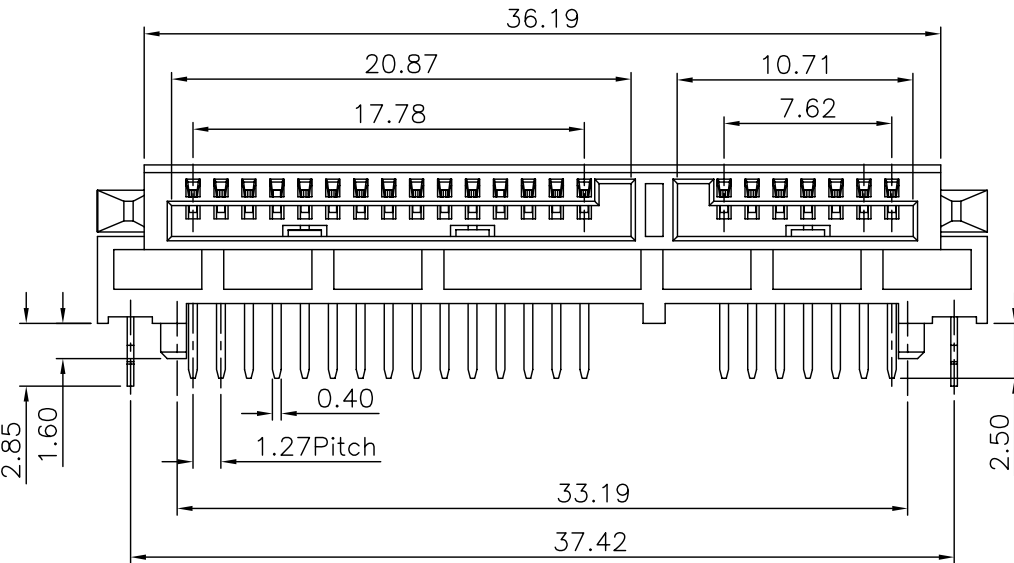
PART NO. SEE TABLE

CUSTOMER DRAWING

REVISIONS			
LTR	DESCRIPTION	Drawing	DATE
A	RELEASE NEW PRODUCT	GARY	11/07/06
D	修改圖面與實物相符	GARY	12/31/07
E	修改塑膠結構	GARY	09/05/08



RECOMMENDED PCB LAYOUT



TABLE

007-01-00287	GOLD FLASH	PA9T BLACK	RoHS
007-01-00288	15 U" GOLD	PA9T BLACK	RoHS
007-01-00289	GOLD FLASH	LCP BLACK	GP
007-01-00290	15 U" GOLD	LCP BLACK	GP
PART NO.	PLATED	PLASTIC&COLOR	NOTE

NOTE:

- MATERIAL :
BASE : HIGH TEMPERATURE THERMOPLASTIC UL94V-0,
TERMINAL: COPPER ALLOY, THICKNESS = 0.30 mm
FORKLICK: COPPER ALLOY, THICKNESS = 0.30 mm
- PLATING:
CONTACT: GOLD OVER 50u" MIN NICKEL UNDERPLATE
SOLDER TAIL: 150u" MIN MISTY TIN 50u" MIN NICKEL UNDERPLATE
GOLD SPECIFICATION: SEE TABLE
- ELECTRONICAL SPECIFICATION:
CURRENT RATING: 1.5 AMPERE PER CONTACT
CONTACT RESISTANCE: 30 MILLIOHMS MAX.
INSULATION RESISTANCE: 1000 MEGOHMS MIN.
DIELECTRIC WITHSTANDING VOLTAGE: 500 VAC.
OPERATING TEMPERATURE: -40°C~+85°C

DIMENSION ARE MILLIMETERS TOLERANCES ARE : DECIMALS .X ± 0.30 .XX ± 0.25 ANGLE: X ± 3'		APPROVALS		DATE	TITLE:			
DRAWN	GARY			09/05/08	SATA 22P SOCKET 上彈點 R/A DIP			
CHECKED								
APPROVALS					SIZE	SCALE :	DRAWING NO.	REV.
					mm	1 : 1	000394	E
NO	DESCRIPTION	Q'TY	UNIT	DO NOT SCALE DRAWING	ID NO.	XXXXXXXXXX	SHEET 1 OF 1	

D

C

B

A

D

C

B

A

4

3

2

1